

Curved Bench

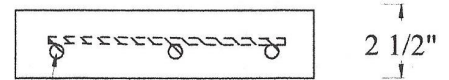
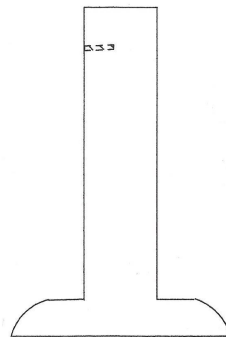
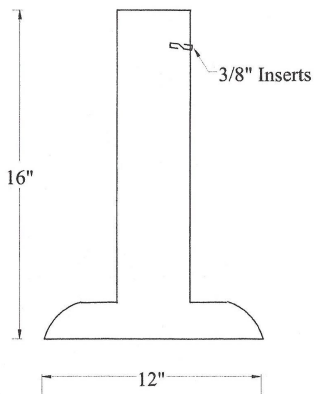
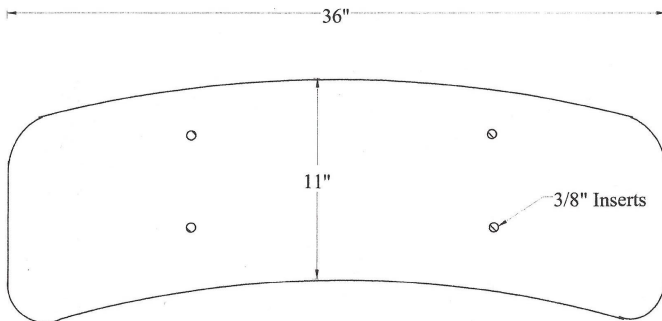
4000psi @ 28 days

800-225-2539

www.psprecast.com



B6007
215 lbs.



#3 Rebar
12" Grid