

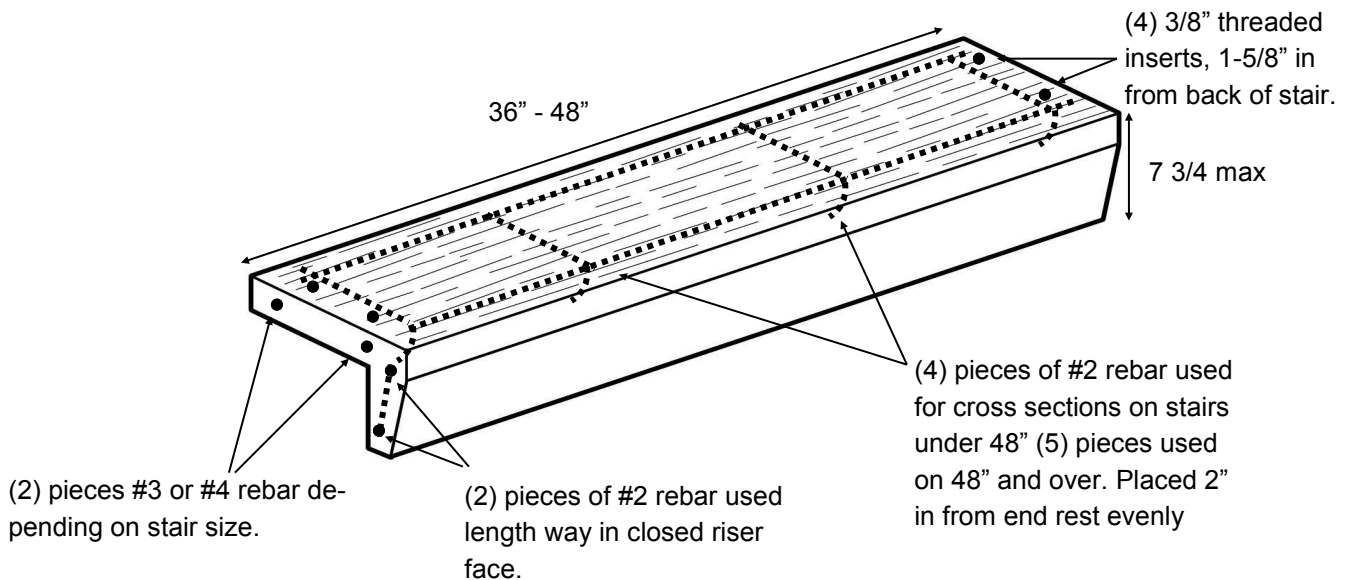
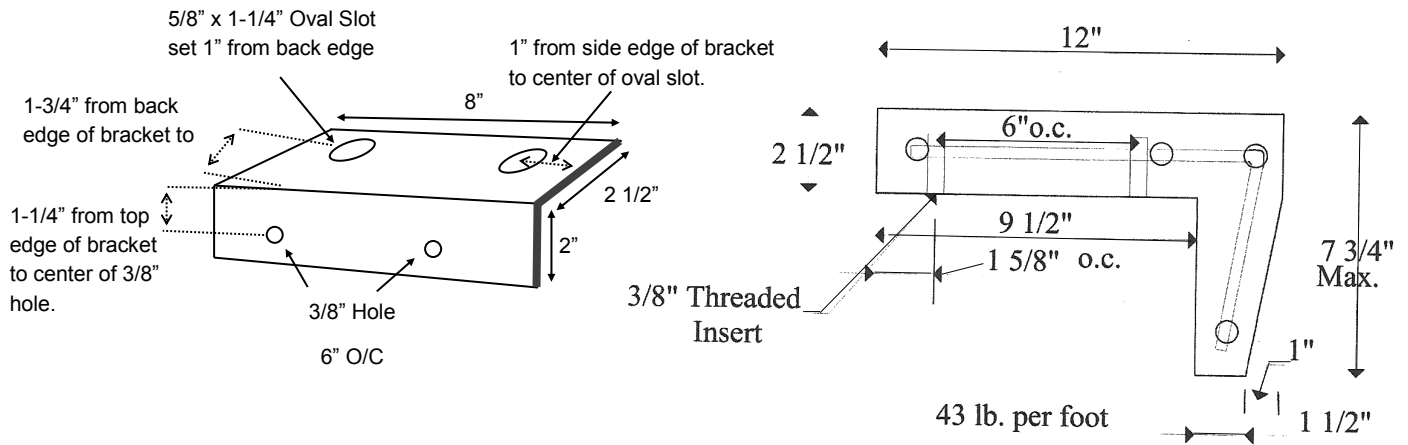
# Closed Riser Stair Tread

4000psi @ 28 days

800-225-2539  
www.psprecast.com

Stock sizes listed below in broomed & exposed aggregate finish. Custom sizes, colors and finishes also available.

Size	Weight	Reinforcement
36" x 12" x 2-1/2"	129 lbs.	#3 (3/8") rebar
40" x 12" x 2-1/2"	143lbs.	#4 (1/2") rebar
42" x 12" x 2-1/2"	150lbs.	#4 (1/2") rebar
44" x 12" x 2-1/2"	156lbs.	#4 (1/2") rebar
48" x 12" x 2-1/2"	172lbs.	#4 (1/2") rebar
Cross sections		#2 (1/4") rebar



Not to Scale