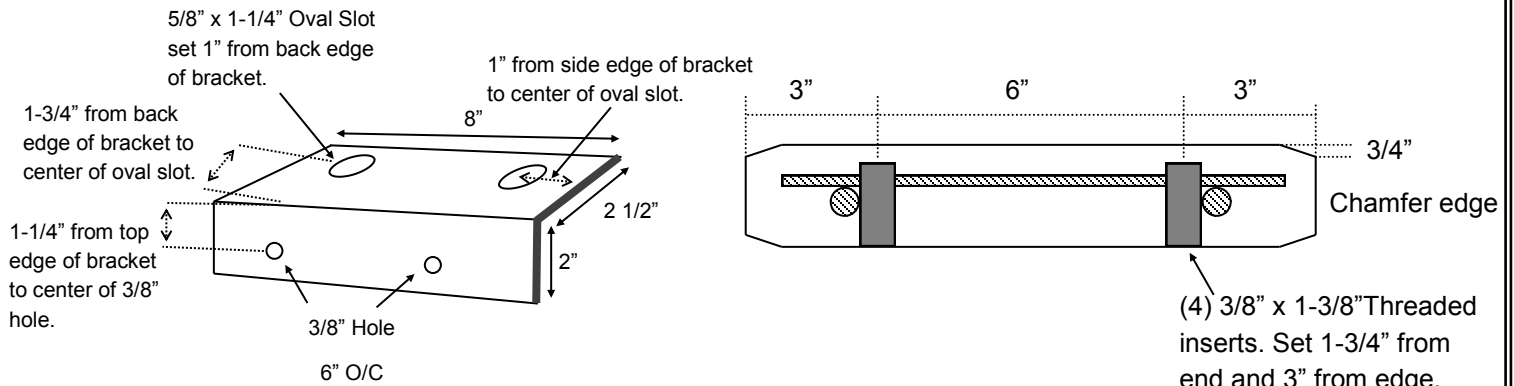


Stair Tread

4000psi @ 28 days

Stock sizes listed below in broomed & exposed aggregate finish.
Custom sizes, colors and finishes also available.

Size	Weight	Reinforcement
36" x 12" x 2-1/2"	80lbs.	#3 (3/8") rebar
40" x 12" x 2-1/2"	95lbs.	#4 (1/2") rebar
42" x 12" x 2-1/2"	105lbs.	#4 (1/2") rebar
44" x 12" x 2-1/2"	110lbs.	#4 (1/2") rebar
48" x 12" x 2-1/2"	130lbs.	#4 (1/2") rebar
Cross sections		#2 (1/4") rebar



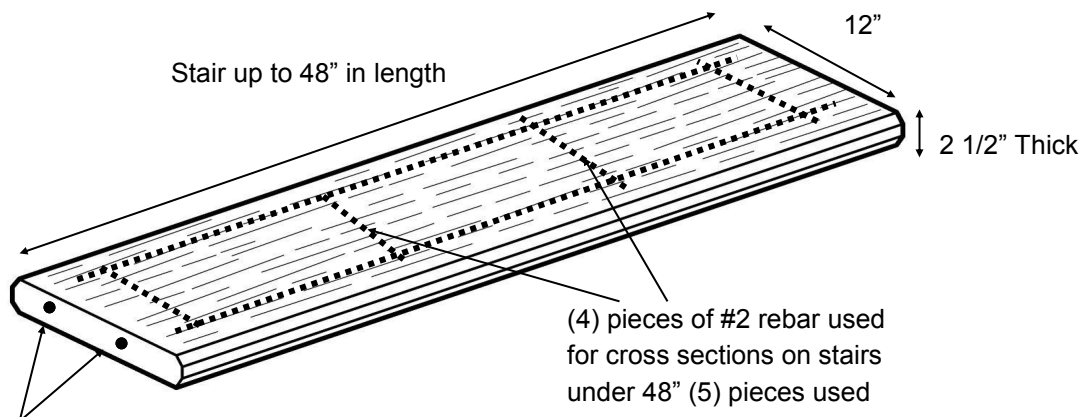
(4) 3/8" x 1-3/8" Threaded inserts. Set 1-3/4" from end and 3" from edge. Inserts set 6" on center.

(4) pieces #2 rebar, under 48"
(5) pieces #2 rebar, 48" and over

(4) 3/8" Threaded Inserts placed 1-3/4" from end of stair.

Rebar cross section placed 2" from end

(2) pieces #3 or #4 rebar depending on size. Placed 3/4" in from end of stair.



(2) pieces #3 or #4 rebar depending on stair size.

(4) pieces of #2 rebar used for cross sections on stairs under 48" (5) pieces used on 48" and over. Placed 2" in from end rest evenly spaced.

Drawing not to scale