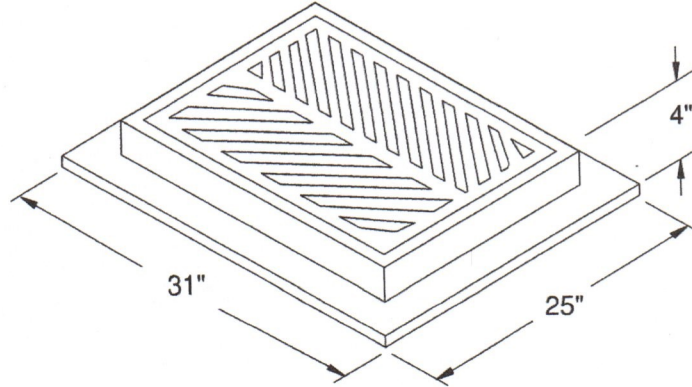


## Type 30 Catch Basin



### Top Unit

Available in 6" or 12" riser.  
(1) #3 rebar reinforcement

Frame and grate weight 280 lbs.

### Base Section

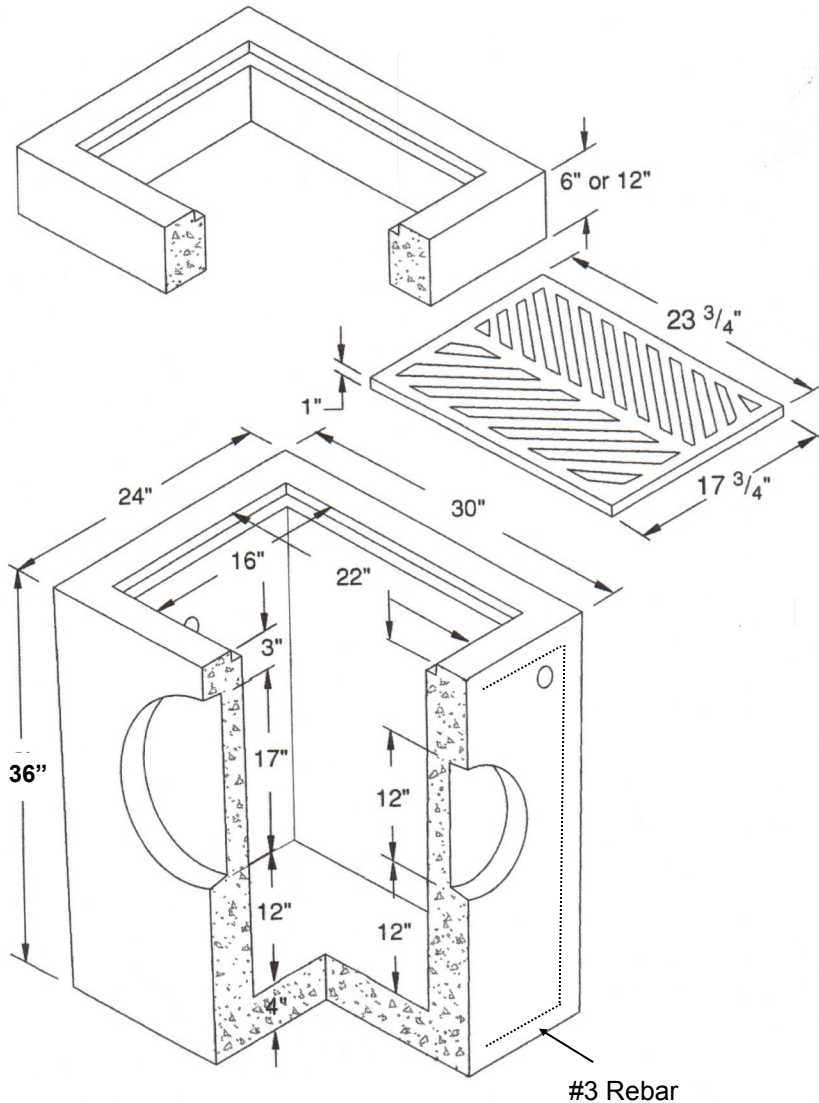
Knockouts are provided for 12" pipe on the sides and 8" pipe on the ends

Base is designed for using the grate with or without the frame.

All concrete is 4,000 PSI min.

#3 Rebar reinforced  
All rebar meets ASTM A615, grade 60.

Weight is 1060 lbs.



-No Scale-

All dimensions subject to allowable specification tolerances.