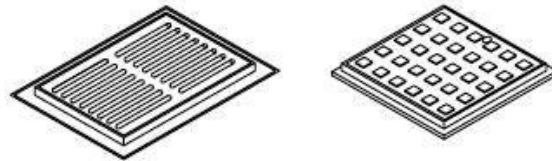


Type 40 Catch Basin



Top Unit

Available in 6" or 12" riser.

Frame and grate weight 280 lbs.

Base Section

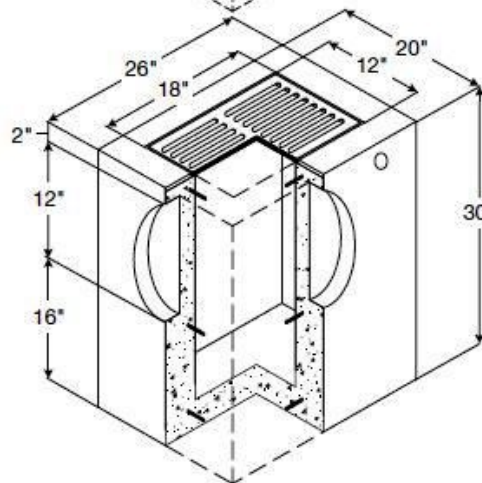
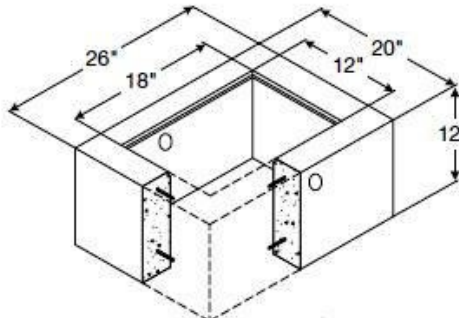
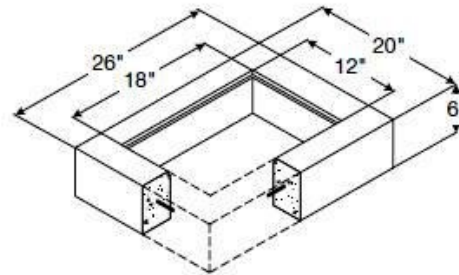
Knockouts are provided for 12" pipe on four sides.

Base is designed for using the grate with or with out the frame.

All concrete is 4,000 PSI min.

All rebar meets ASTM A615, grade 60.

Weight is 1005 lbs.



-No Scale-

All dimensions subject to allowable specification tolerances.