

## Type 50 Catch Basin

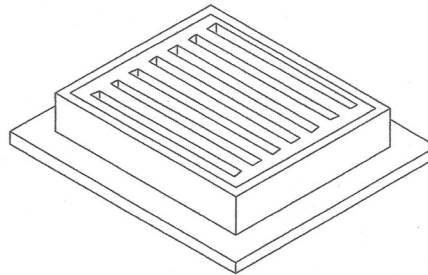
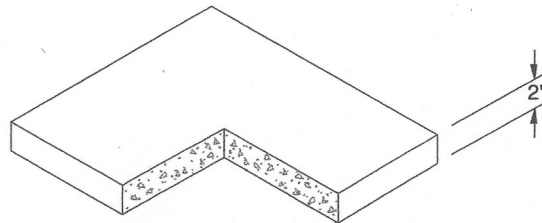
### Top Unit

A solid concrete cover for use as a distribution box.

2" slab weight is 44 lbs.

Metal frame and grate are designed for use in a small catch basin wherever a light grate is needed. Its not intended for automobile traffic.

Weight 145 lbs.



### Base Section

Knockouts are provided for 8" pipe on four sides.

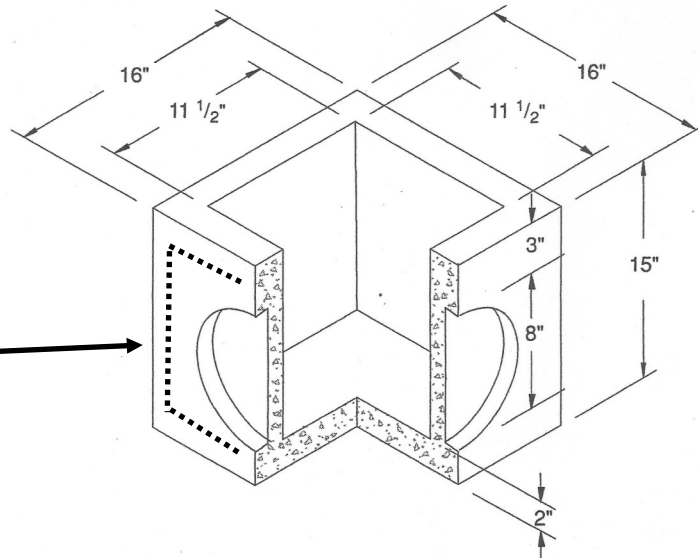
Base is designed for using the grate with or with out the frame.

All concrete is 4,000 PSI min.

All rebar meets ASTM A615, grade 60.

Reinforced #2 Rebar

Weight is 145 lbs.



**-No Scale-**

All dimensions subject to allowable specification tolerances.