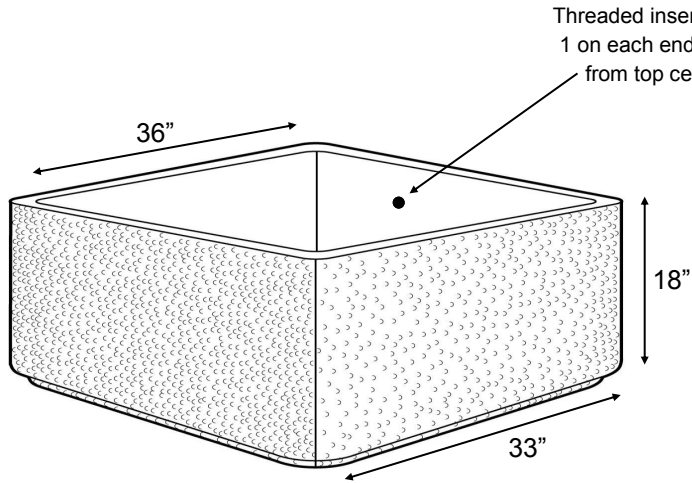


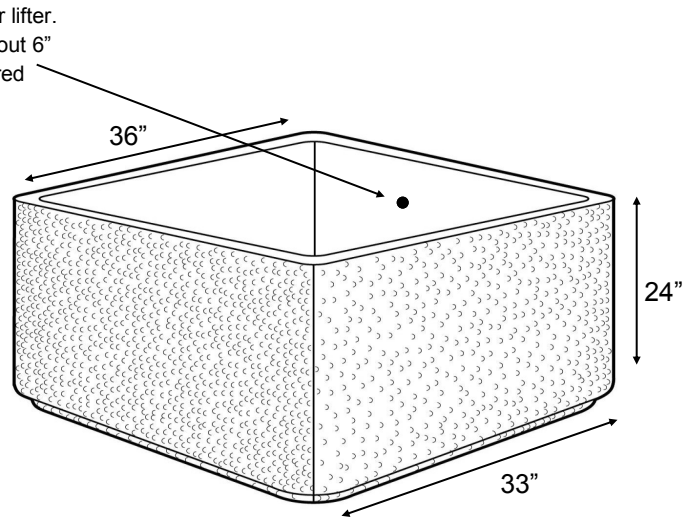
Square Commercial

4000 psi @ 28 days



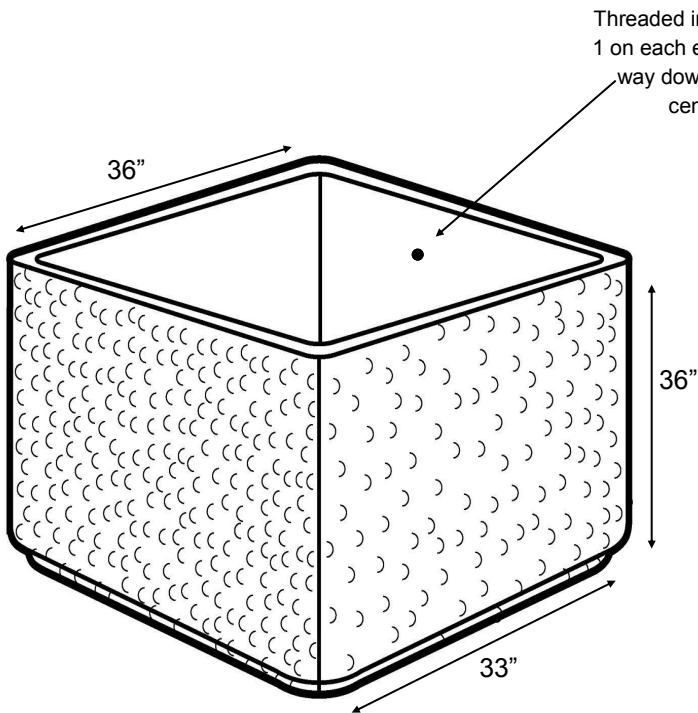
Square Commercial Size Planter S3618

36" x 36" x 18" x 2-1/2" Thick



Square Commercial Size Planter S3624

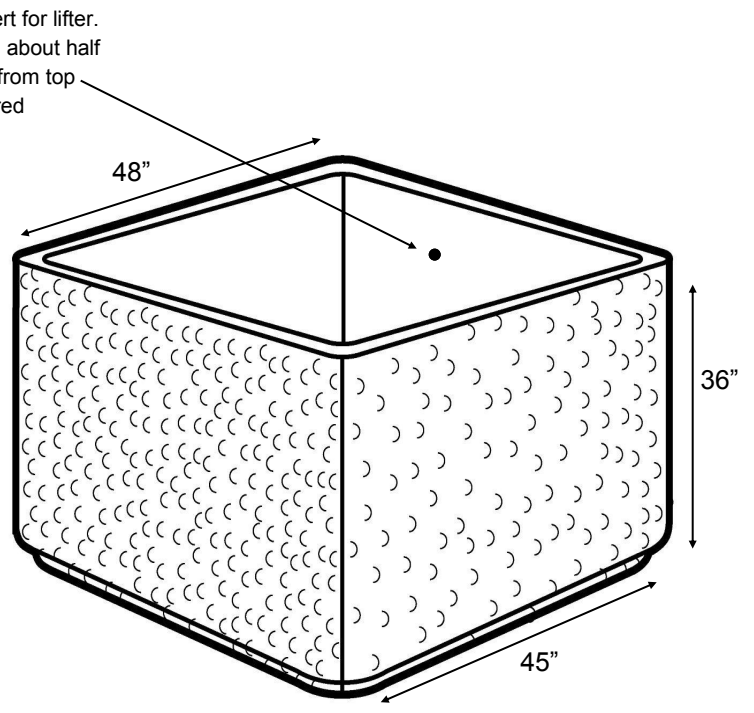
36" x 36" x 24" x 2-1/2" Thick



Square Commercial Size Planter S3636

36" x 36" x 36" x 2-1/2" Thick

1400 lbs.



Square Commercial Size Planter S4836

48" x 48" x 36" x 2-1/2" Thick

2600 lbs.