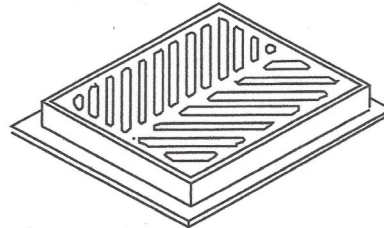
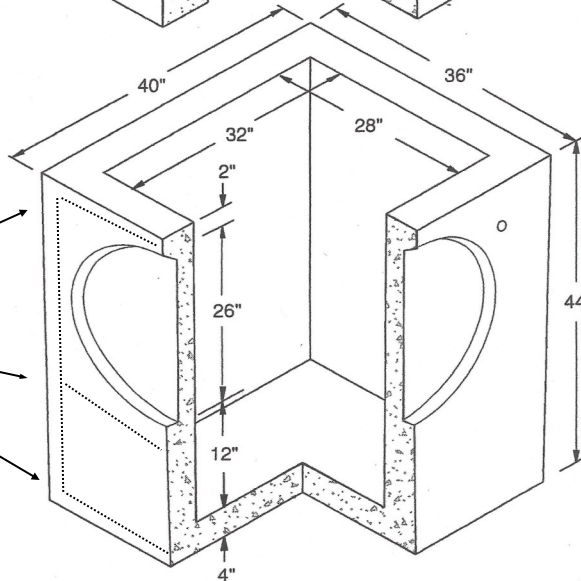
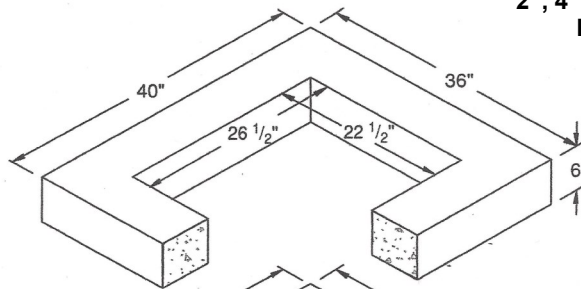


Type 1 L Catch Basin



2", 4", 6", 12", 24"
Riser



Rebar Placement

#3 Rebar 1 1/2"
 from top, 1 1/2"
 below knock out,
 1 1/2" from bottom.
 41" #3 Rebar in
 each corner 1 1/2"
 in from corner.

Top Unit

Frame and grate available

Risers

2", 4", 6", 12", 24" risers available

Base Section

Clear opening of knockouts is 20"
 Knockouts provided on four sides
 Steel reinforced

Notes

All concrete is 4,000 PSI minimum
 All rebar meets ASTM A615, grade 60
 Weight is 2480 lbs

- Scale -

All dimensions subject to allowable specification tolerances.