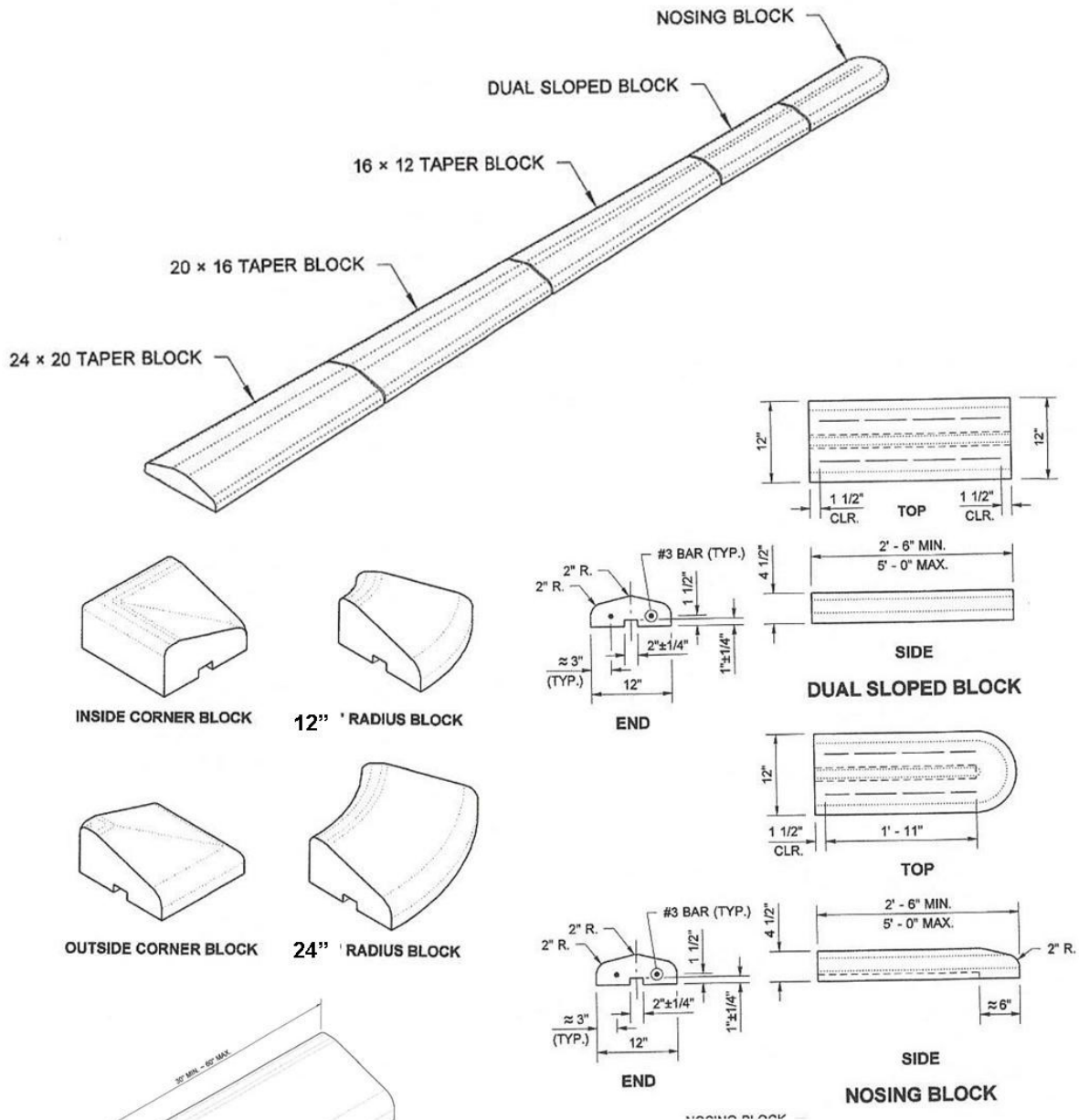


Sloped Mountable Traffic Curb

4000psi @ 28 days

800-225-2539

www.psprecast.com



Weights

Nosing 60" 231 lbs.	Single Slope 303 lbs
Dual Face 60" 237 lbs	Inside Corner 68 lbs.
16"x12" Taper 292 lbs.	Outside Corner 53 lbs.
20"x16" Taper 412 lbs.	12" Radius 30 lbs
24"x20" Taper 546 lbs.	24" Radius 72 lbs