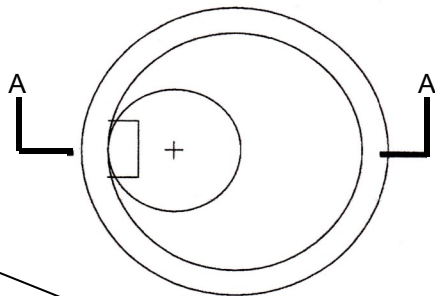


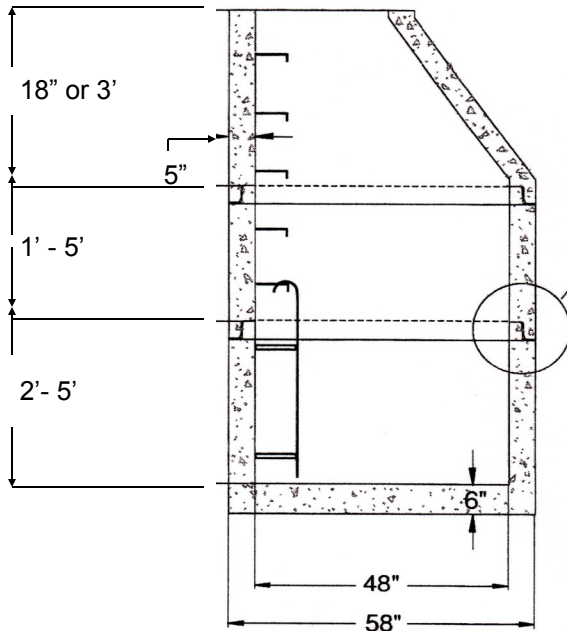
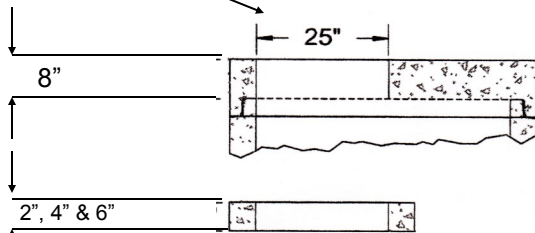
48" Manhole

Featuring "Easy Lift" on all manhole sections

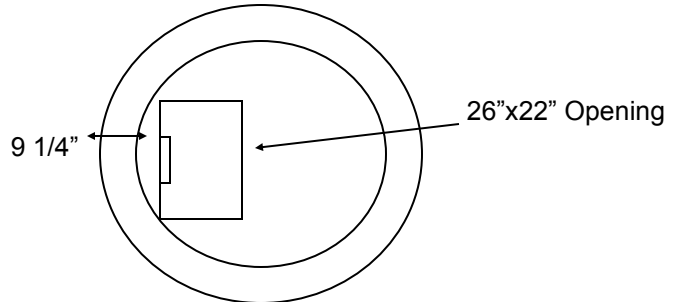
Plan View Round Opening



22"x26" Rectangle
25" Round

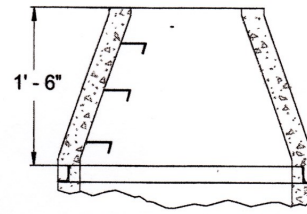


Plan View Rectangle Opening

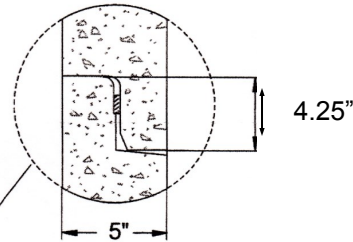


26"x22" Opening

9 1/4"



Optional - Concentric Cone



Detail A
Typical Rubber
Gasket Connection

Weights

- 48" x 2' Base - 2780 lbs.
- Additional footage - 920 lbs. per ft.
- 48" Sections - 920 lbs. per ft.
- 48" x 8" Flat Slab Top - 1900 lbs.
- 48" x 18" Top Cone - 1580 lbs.
- 48" x 36" Top Cone - 2420 lbs.

Top Unit

Grade adjustment rings available in 2", 4" & 6"
Concentric or eccentric cones or flat top optional.
Flat top slabs come with 25" openings offset to one side or centered in slab. Square or Round access.
Reinforcing - 0.12in²/layer/LF minimum.

Section

Sections are available in heights of 1' to 5'.
All joints are designed for use with Rubber Gaskets.
Steel Reinforced Polypropylene Steps and ladders are OSHA approved and installed as required.
Circumferential wall reinforcing is 0.12in²/layer/LF minimum.

Base Unit

Base units are available in 2' to 5' heights + base slab.
Reinforcing is 0.15in²/layer/LF minimum.
All units meet or exceed ASTM C-478.

Pipe Penetrations

Cored holes or block-outs available as required.
Maximum hole size is 36".
Minimum distance between holes is 8".

Note

(1.) Joints use a Profile Gasket meeting ASTM C-443

-No Scale-

All dimensions subject to allowable specification tolerances.